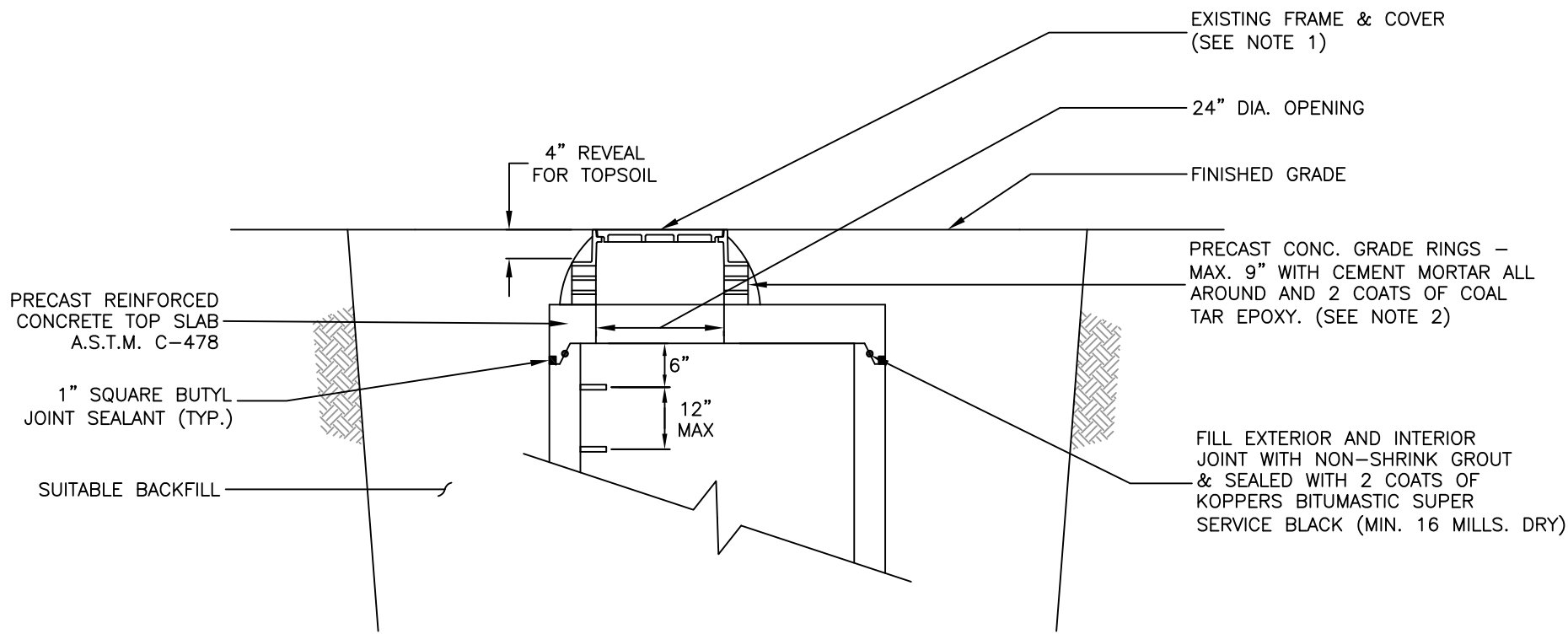



\\Oserver\user folders\Town Projects\AutoCAD Projects\Non-Town Wide\Details\Sanitary\SA-15\ManholeGradeAdjust.dwg



NOTES:

1. DEPENDING ON EXISTING CONDITION, THE EXISTING FRAME & COVER MAY NEED TO BE REPLACED. IF SO, THE EXISTING FRAME & COVER SHALL BE RETURNED TO THE TOWN.
2. MAXIMUM NUMBER OF ALLOWABLE PRECAST CONCRETE GRADE RINGS IS 3.
3. DEPENDING ON THE DEPTH OR AN ECCENTRIC CONE SECTION ENCOUNTERED, THE CONTRACTOR MAY BE REQUIRED TO ADJUST THE MANHOLE UTILIZING PRECAST REINFORCED CONCRETE BARREL RISER SECTIONS.

 TOWN OF HENRIETTA	MANHOLE GRADE ADJUSTMENT DETAIL	
	SCALE: N.T.S.	SA-15
	DATE: 11/15/2011	